

# Inhemeter Three Phase Meter with Integrated Keypad

## Product Specifications

### Voltage

- Rated operating voltage(Un) 230V

### Frequency

- 50 Hz

### Current

- Basic Current (I) 5A
- Maximum working current –100A

### Operating Environment

- Working Temp: -25°C to +75°C
- Storage Temp: -40°C to +80°C
- Humidity –Day = 100%, Night = 25%



## Compliance & Standards

- IEC 62052-11 2003, IEC 62053-21 2003
- IEC 62055-31 2005, IEC 62055-41 2007
- IEC 62055-51 2007, IEC62056-21
- SANS 1524-1 2005, ESKOM SCSSCAA9

### Prepaid Mode:

Keypad is required for entering tokens or meter's integrated keypad can be used to insert tokens

### Smart Mode:

Tokens are automatically loaded onto the meter. Requires a communication module to communicate with the system. A keypad is optional for the meter for back-up purposes.

**iSWITCH**  
PREPAID METERING (PTY) LTD

## Product Overview

The Inhemeter Three Phase meter is a 4 wire, direct connect meter that has capabilities to communicate with plug-in communication modules that are interchangeable. (GPRS Modem or PLC) on a Smart Solution.

### Features: (Smart Solution)

- Access to the smart dashboard to view consumption
- The available credit on meter displayed in kWh - read remotely
- The amount of kWh consumed since meter was installed - read remotely
- Import and export kWh
- Can be in prepaid or postpaid mode
- Tamper detection
- 30 Minute Load Profiling
- When token is purchased, it is automatically loaded onto the meter

### Features: (Prepaid Solution)

- The available credit on meter displayed in kWh
- Tamper detection
- CIU Separate or Integrated
- Token loaded onto meter via keypad

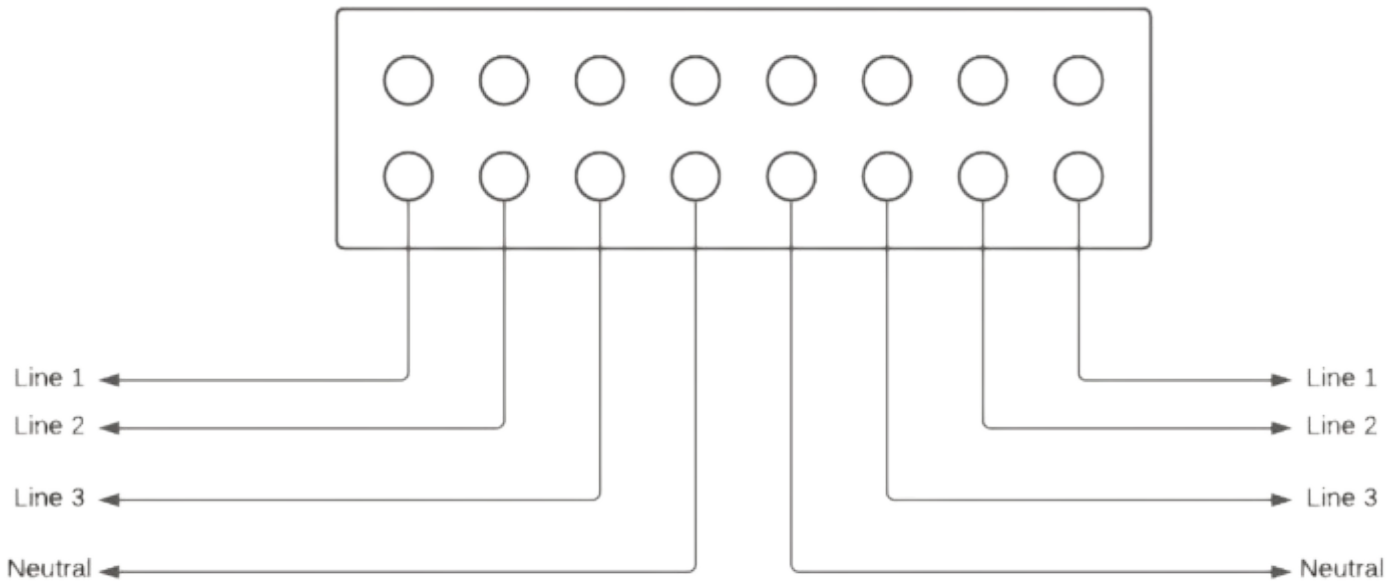
**i** Installation Instructions



**\*Available as a Smart Meter and a Prepaid Meter**

# How to install?

**NB: Please note that the installation on this meter does not follow standard wiring instructions**



## Product Specifications

### Voltage

- Upper limit value:264.5V
- Lower limit value:184V

### Frequency

- 50Hz±5Hz

### Current

- Basic Current (I) 5A
- Maximum working current –100A

### Communication Port

- RS485 communication port

### Dimensions

- L = 300mm
- W = 170mm
- H = 85mm

### Working Temperature

- Working Temp: -25°C to +75°C
- Storage Temp: -40°C to +80°C
- Humidity: When the highest temperature is 55 °C, the relative humidity range: 0~95%
- During the night: 100% relative humidity (maximum)
- During the day: 25% relative humidity
- Altitude Less than 3500 meters
- Used in tropical conditions